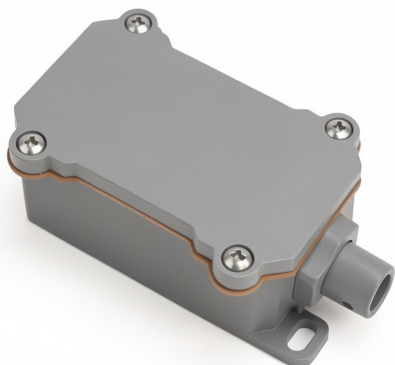


# MESHLE flex ZERO – 4 Channel 0-10V LED IP67 Controller with Bluetooth Mesh Connectivity

## Model 723L-W



FC  CE RoHS  RED

The MESHLE flex ZERO W is a IP67 smart Bluetooth LED dimmer designed for 0-10V applications. It allows precise control of up to 4 dimmable drivers with a 0/1-10V interface. With 256 dimming levels, it ensures smooth 0-100% brightness adjustment. The controller supports multi-channel single-color, dual-white (CCT), RGB, and RGBW lighting. Configuration and operation are managed via the MESHLE app, where users can set colors, scenes, animations, timers, and automation rules. No Wi-Fi, hub, or additional hardware is required—simply connect and start using. Each MESHLE flex ZERO automatically forms a Bluetooth Mesh network with other MESHLE devices, enabling individual or group control via smartphone. The controller is powered by DC input.



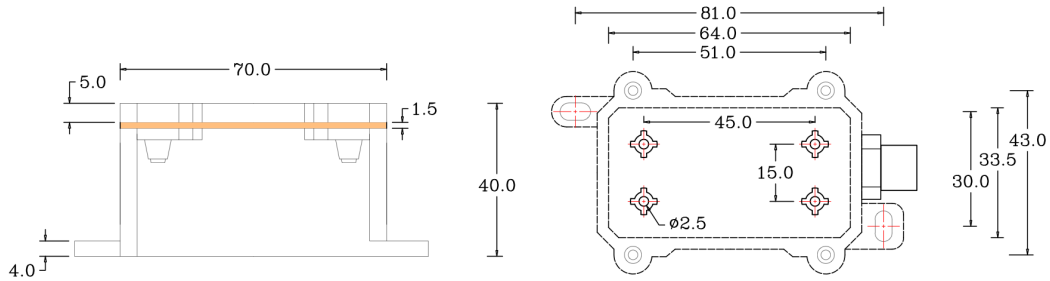
## Features

- Designed for individual control of 4 channels.
- Output 4 channel 0-10V signal, connect with 0/1-10V dimmable driver.
- IP67 rating, internal gluing, suitable for outdoor and damp environment.
- Compatible with MESHLE: Enables wireless connection with other devices in a MESHLE-Bluetooth Mesh Network and control via the MESHLE App.
- Supports automation features: Timers (Week/Sunset, Sunrise), If-Else Rules.
- Adjustable settings include Power Up State and Fade transition duration.
- Offers group control capability: can be operated individually or as part of a group.
- When paired with an optional Gateway, can be integrated in local network or cloud. See MESHLE Edge / MESHLE Cloud
- Compatible with both Battery-Powered and Battery-Free Switches and Sensors ( see <https://meshle.com/ecosystem> for more details).

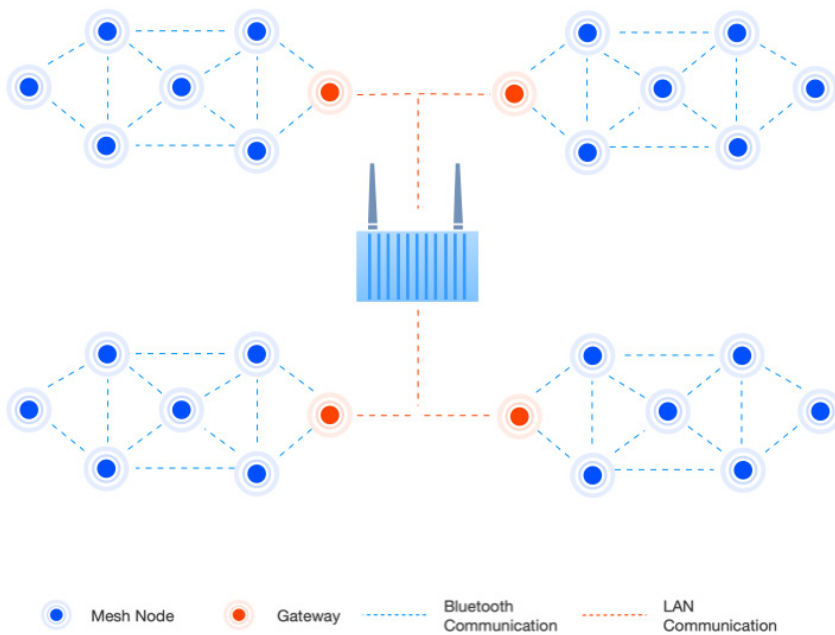
## Technical Parameters

<b>Input and Output</b>		<b>Safety and EMC</b>	
Input voltage	12 – 24 VDC	EMC standard (EMC)	ETSI EN 301 489-1 V2.2.3
Input Current	Max 50mA		ETSI EN 301 489-17 V3.2.4
Output voltage	4 x (0-10)VDC	Radio Equipment (RED)	ETSI EN 300 328 V2.2.2
Output current	4CH,10mA/CH	Certification	FCC, CE,EMC,RED, RoHs
<b>Package</b>		<b>Environment</b>	
Size	L87.00 x W35 x H29mm	Operation temperature	Ta: -30 OC ~ +55 OC
Gross weight	0.130kg	Case temperature (Max.)	Tc: +68.5°C
<b>Dimming data</b>		IP rating	IP 67
Input signal	MESHLE App, Bluetooth Mesh Network, Cloud or Local Network (Gateway needed)	<b>Warranty and Protection</b>	
Dimming range	0 -100%	Warranty	5 years
Dimming curve	Linear/Logarithmic	Protection	Reverse polarity
			Over-heat
			Short circuit

# Technical Specifications



# System Example



MESHLE Edge is an optional device that allows multiple mesh networks to be combined within an intranet via gateways and provides a dashboard for configuration and automation.

**Gateway and Edge are optional and are not required for a single MESHLE mesh network to operate with a smartphone.**

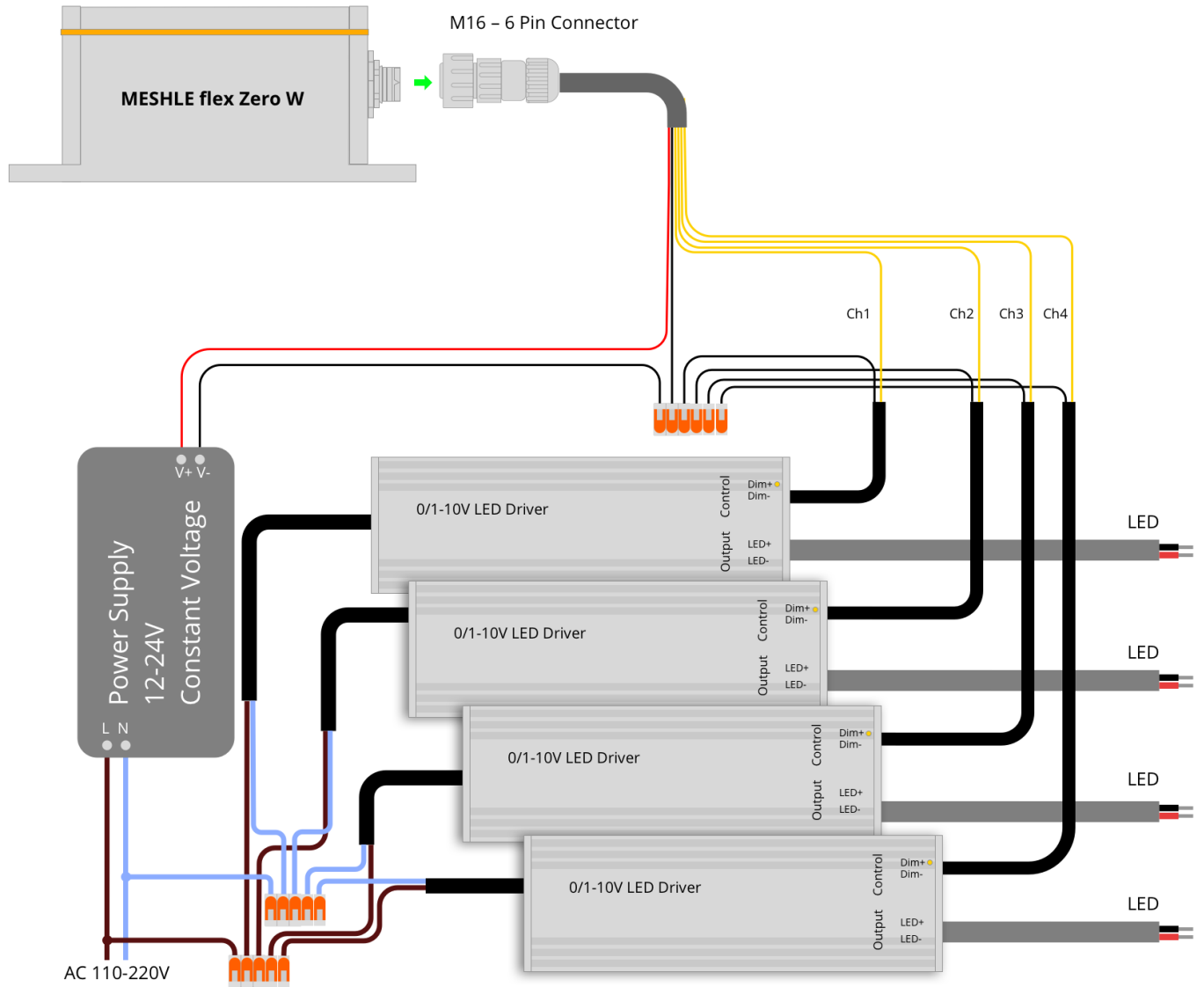


All MESHLE products and all devices labeled "Works with MESHLE" are compatible with each other and can be configured, managed and controlled via MESHLE App. Connection to the Cloud via MESHLE Gateway (optional). User can connect already existing Bluetooth mesh network to the MESHLE Cloud

via MESHLE Gateway. This enables additional functions such as remote and voice control.

# Wiring Diagram

## Power Supply



## Network Setup

### New network

If this is the first device that is being setup follow the steps below:

1. Download MESHLE App and allow all required permissions and press "Start".
2. Power up the controller, now it should be listed in the search view of the app
3. Select the listed item and follow the instructions: create password for the new network and configure the controller
4. For every further device follow the steps described in "Add to existing network"



Video Tutorial

### Existing network

If new device have to be added to existing network follow the steps below:

1. Download MESHLE App and allow all required permissions and press "Start".
2. Select existing network and enter the network password once requested
3. After joining the network press plus button in the bottom right corner of the app and select "Device"
4. Power up the controller, now it should be listed in the search view of the app
5. Select the listed item and follow the instructions to configure the controller



Video Tutorial

## Factory Reset

### Device

1. Power off and on device repeatedly 7 times.

### Network

In order to delete the network, all of the devices configured in this network must be reseted to factory settings.

## App Screens

