

# PRODUCT DATA SHEET



## 5CH PWM LED Controller – 568P-3

5CH PWM LED Controller with Mesh Network Capability RGB CCT / RGBW / RGB / CCT / Dimmer



### Product description

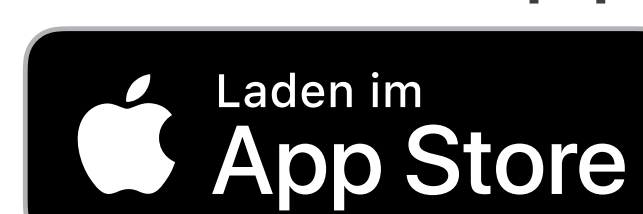
5-Ch LED Controller is a control module for LED light strips of various types.

Its five output channels can be flexibly configured to match the connected LED strips, supporting single-color, CCT, RGB, and RGBW applications.

Configuration and operation are handled via the MESHLE App, where colors, scenes, animations, timers, and other functions can be set. No Wi-Fi, hubs, or additional hardware are required. The controller is ready for use immediately after connection.

Each controller automatically connects to other MESHLE-capable controllers via Bluetooth, forming a Bluetooth Mesh network. Within this network, controllers can be operated individually or in groups using a smartphone.

Full control via MESHLE App



### Technical data

Suitable for illuminants	analogue LED RGB CCT / RGBW / RGB / CCT / Single Color LED light strips
Connected load	max. 480W
Operating voltage	12-24 Volt, 15A per Channel (max. total 20A)
Technology	MESHLE Bluetooth Mesh
Connectors	Lever clamp terminals
Radio range outdoor	30-40 meters
Radio range indoor	10-25 meters
Color	white
Dimensions	108mm x 45mm x 18mm
Protection class	IP20 – not suitable for outdoor

Delivery includes: 1x control unit

All MESHLE-enabled devices are compatible with each other and can be configured, managed and controlled via MESHLE app.

# PRODUCT DATA SHEET

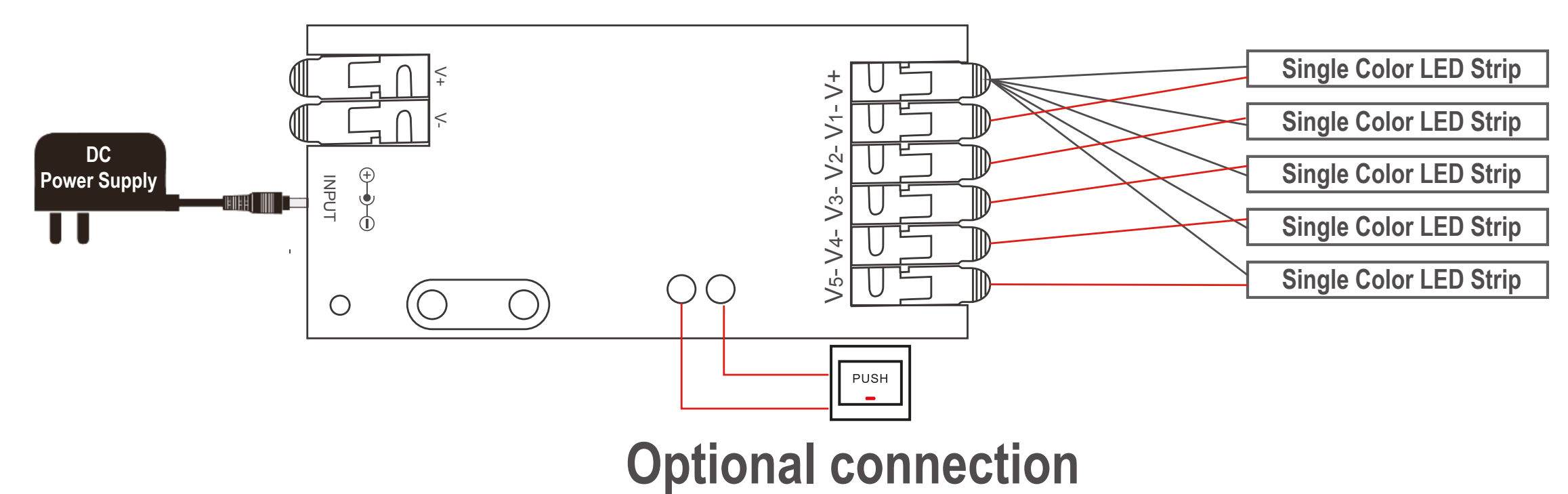


## 5CH PWM LED Controller – 568P-3

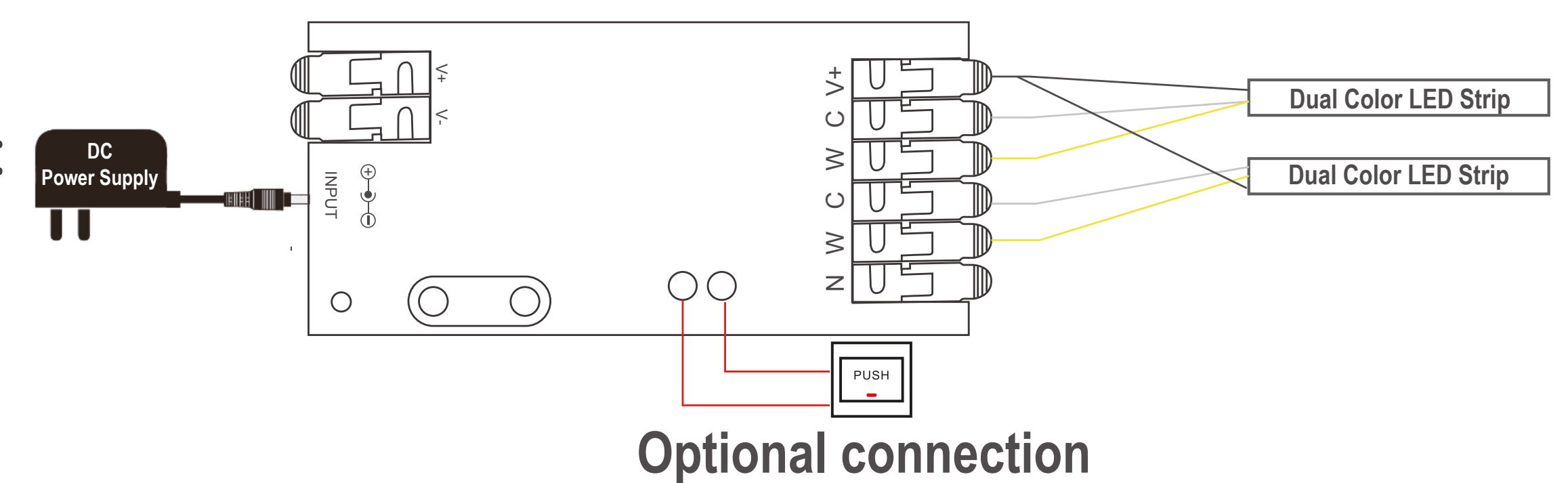
5CH PWM LED Controller with Mesh Network Capability RGB CCT / RGBW / RGB / CCT / Dimmer

### Connection:

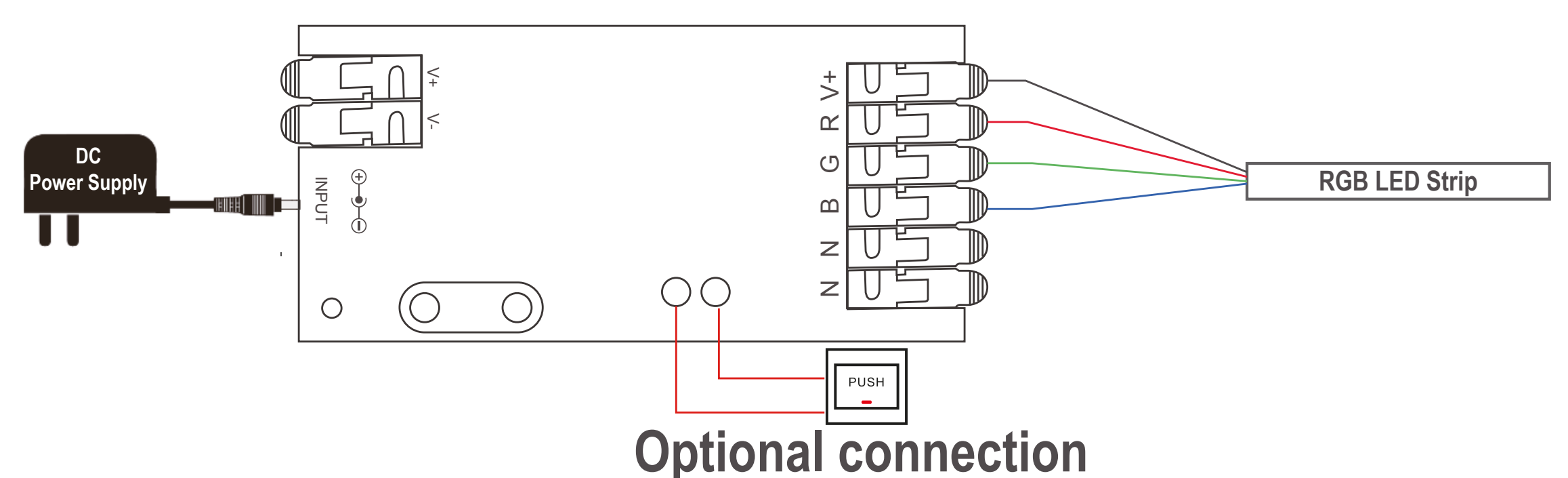
1. Connection diagram for single color LED light strips:



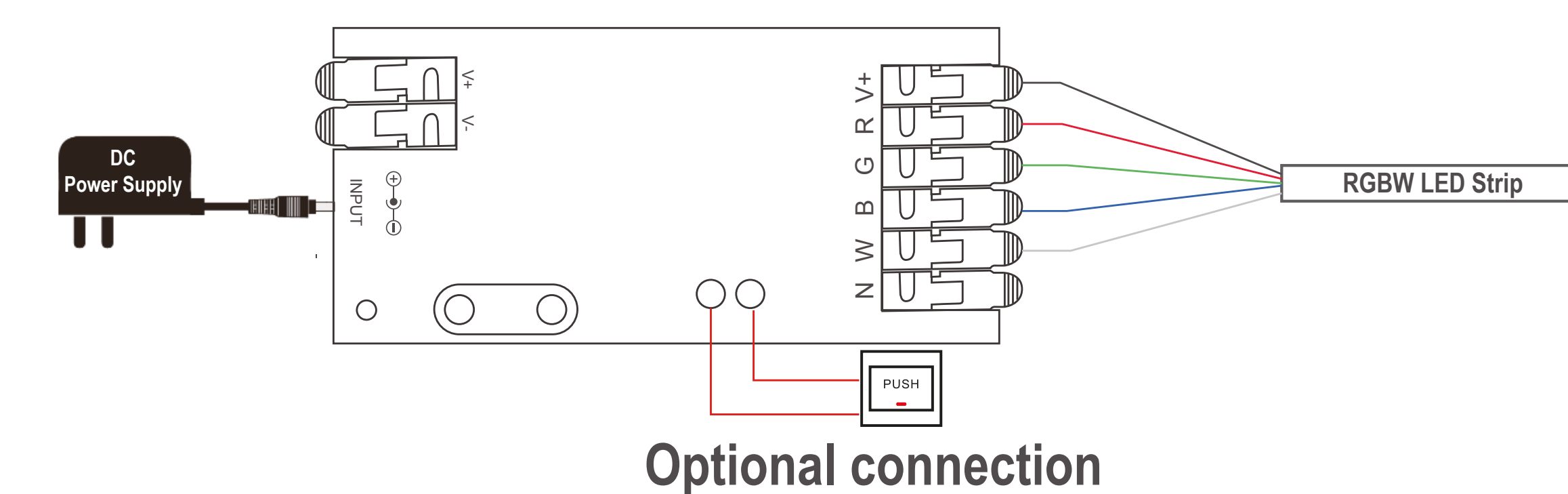
2. Connection diagram for warm/cold white CCT LED light strips:



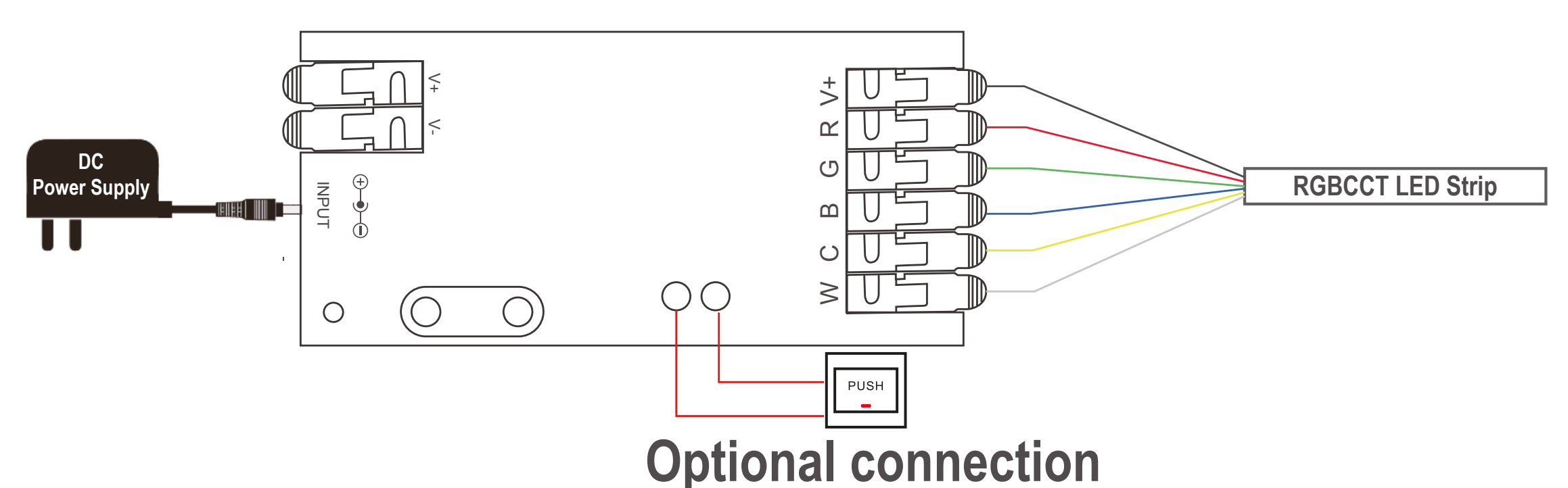
3. Connection diagram for RGB LED light strips:



4. Connection diagram for RGBW LED light strips:



5. Connection diagram for RGB CCT LED light strips:



\*It is important that the voltage of the LED strip matches the voltage of the power supply, e.g. for a 12V LED strip you need a 12V power supply, for a 24V LED strip you need a 24V power supply. The power supply must provide sufficient watts. (e.g. For a 2m LED strip with 23 watts/m the power supply must have min.  $23 \times 2 = 46$  watts). The max. total load of the controller of 20A, at 24V or 480W must not be exceeded.

## CONFIGURATION



### 5CH PWM LED Controller – 568P-3

5CH PWM LED Controller with Mesh Network Capability RGB CCT / RGBW / RGB / CCT / Dimmer



**IMPORTANT:** The reprogramming of the controller (between RGB CCT / RGBW / RGB / CCT / Single Color) can only be performed when the device has been reset to factory settings (hold reset button for 10 seconds).

**Step 1. Activate the programming mode:**

Hold Prog button for 3 seconds, the indicator light on the controller will start flashing. The number of short blink repetitions shows the current mode of the controller. E.g. 5x means (5-channel mode) means is in RGB CCT, 4x means (4-channel mode) the controller is in RGBW mode, 3x (3-channel mode) RGB, 2x (2-channel), 1x (1-channel).

**Step 2. Select mode:**

With a short button press, you can switch between the individual modes and thus select the desired mode.

**Step 3. Confirm mode:**

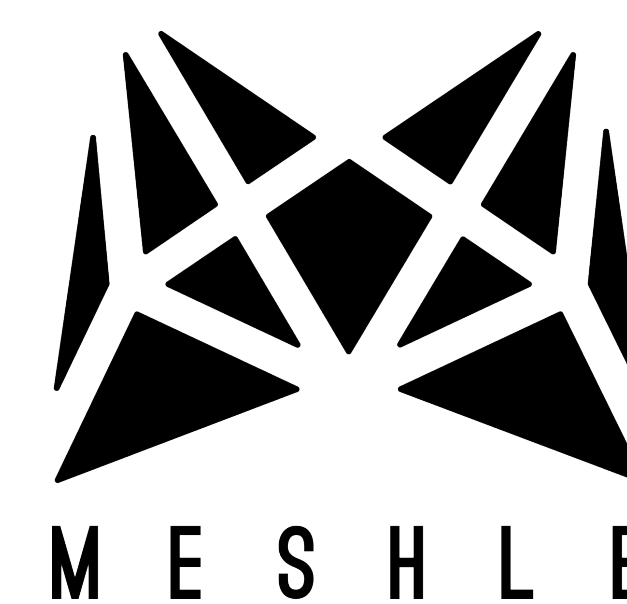
After the selection has been made, it must be confirmed by holding the reset button for 3 seconds. The controller flashes once and exits the programming mode.

Reset to factory settings:

Hold the reset button for **3 seconds**. Important, the settings of the output channels (RGBW/ RGB/ CCT/ Single Color) will not be deleted. Only the customer settings are deleted.

In order to reset the output channels to the factory setting (RGB CCT), the reset button must be held for **10 seconds**.

## TECHNOLOGY



### MESHLE Bluetooth Mesh

with an optional connection to the cloud via MESHLE Gateway

#### Technology:

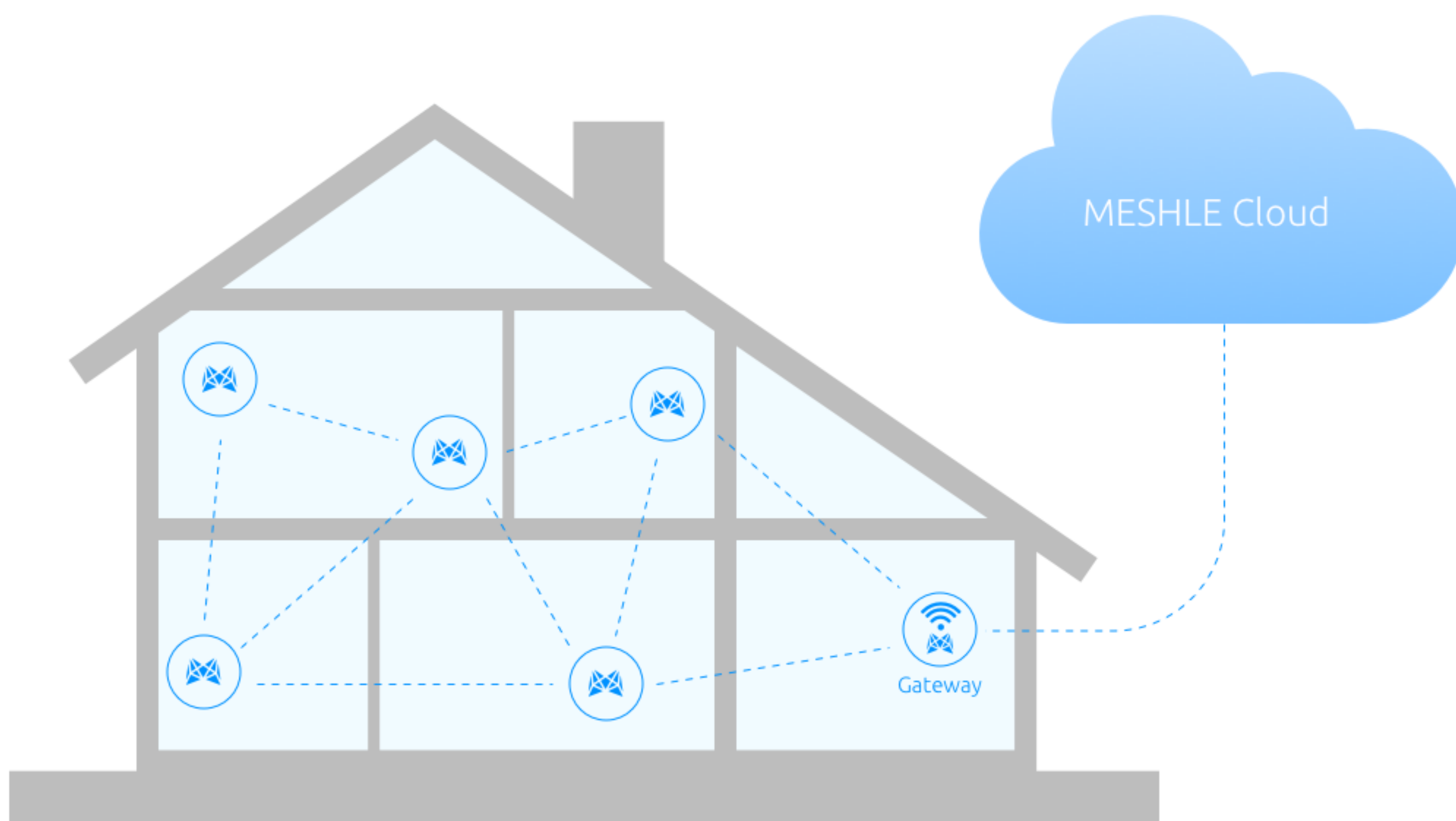
All MESHLE-compatible products and all MESHLE-enabled devices are based on MESHLE Bluetooth mesh technology and can be controlled directly via a smartphone or tablet using Bluetooth in the MESHLE app. There is no need for an internet connection, central station, WLAN router or additional cabling. All devices operate independently and automatically create a network among each other. Multiple networks with devices can be created and individually protected with a password.



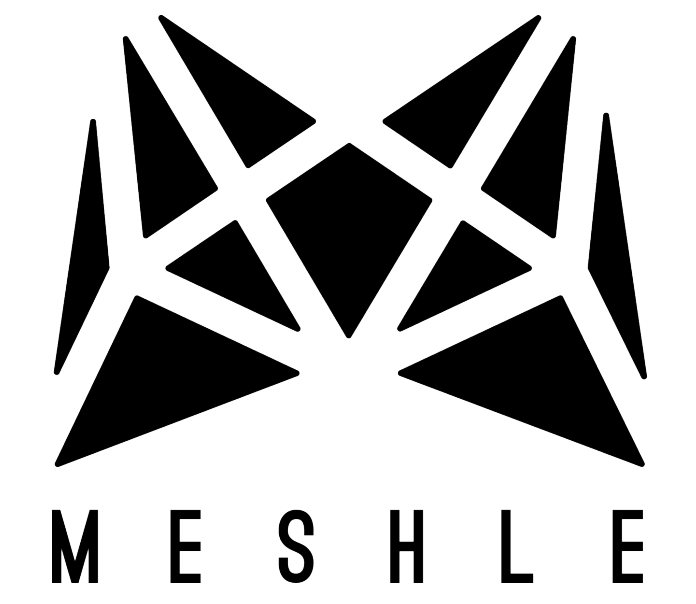
All MESHLE products and all devices labeled "Works with MESHLE" are compatible with each other and can be configured, managed and controlled via MESHLE App.

#### Connection to the Cloud via MESHLE Gateway (optional):

There is an option to connect already existing Bluetooth mesh network to the MESHLE Cloud via MESHLE Gateway. This enables additional functions such as remote and voice control.



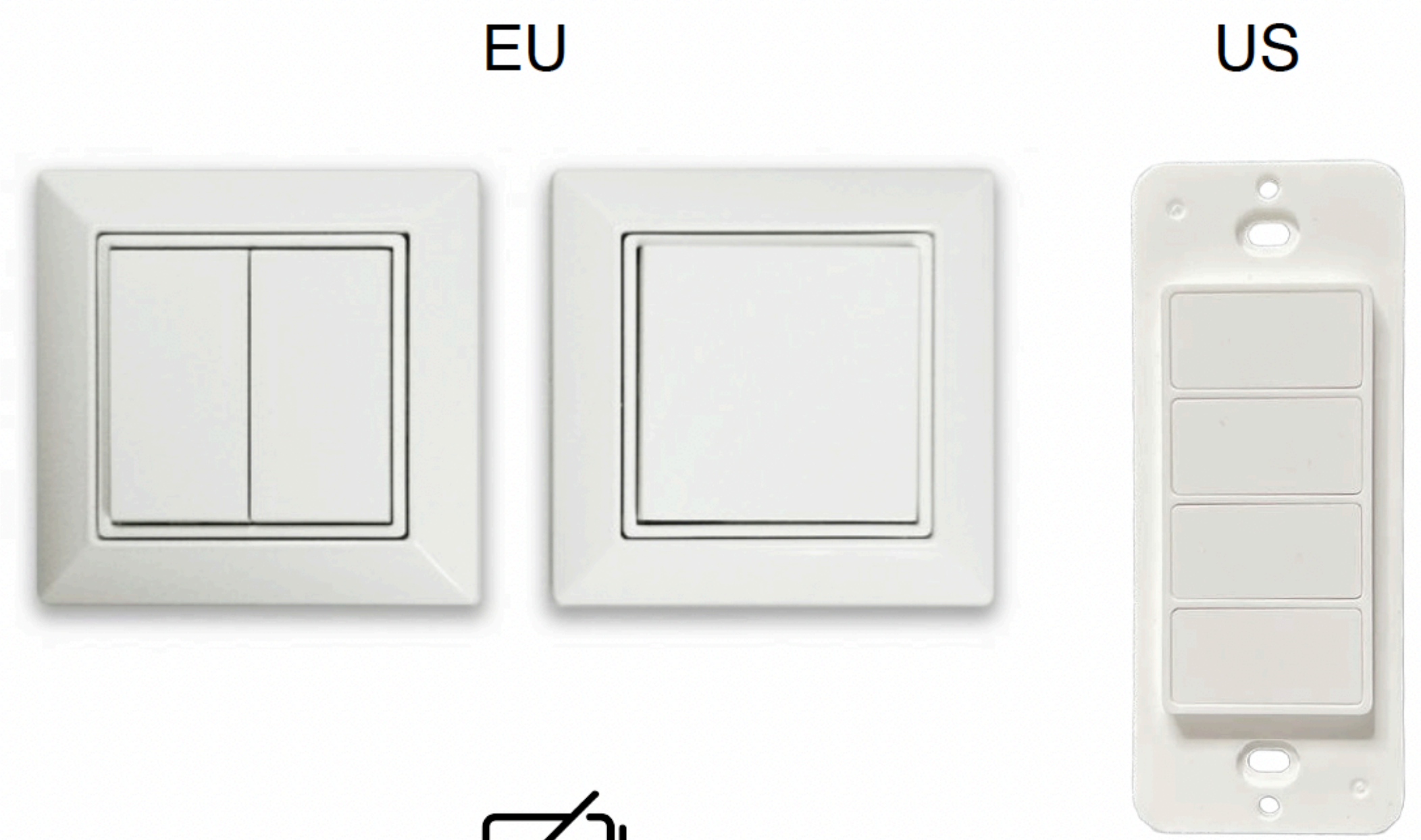
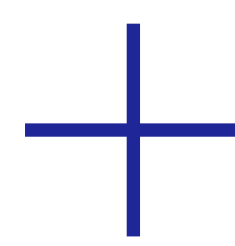
COMPATIBLE



with battery-free switches



5-Ch PWM LED Controller



Batteryless Switch

